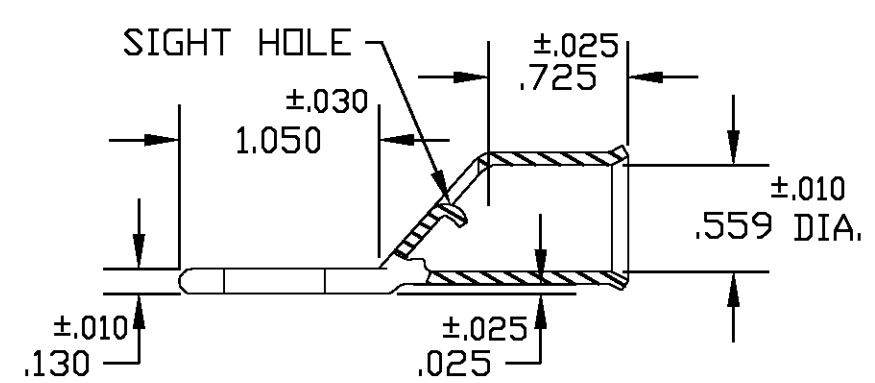
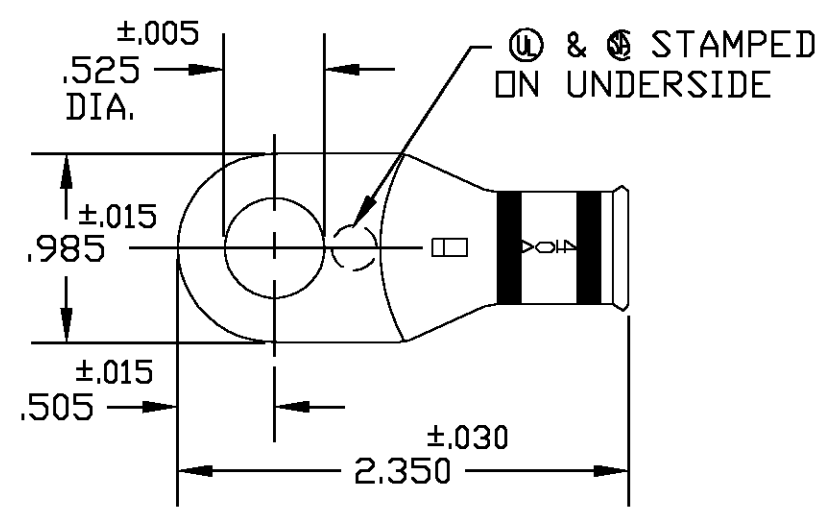


THIS DRAWING IS UNPUBLISHED. RELEASED FOR PUBLICATION  
 © COPYRIGHT BY TYCO ELECTRONICS CORPORATION. ALL RIGHTS RESERVED.

LOC	DIST	REVISIONS					
		P	LTR	DESCRIPTION	DATE	DWN	APVD
G	50		A	REV PER 0G3H-0088-04	30MAR04	JR	MS



COLOR CODED PURPLE

ACTIVE	40501-60	STANDARD	COLOR CODED	1527166-3
STATUS	AET P/N	PACKAGING	FINISH	PART NUMBER

THIS DRAWING IS A CONTROLLED DOCUMENT.		DWN D.A.A 11/3/00	Tyco Electronics Corporation Harrisburg, PA 17105-3608	
DIMENSIONS: INCHES		CHK H.D.F 11/3/00		
		APVD H.D.F 11/3/00	NAME 4/0A STANDARD TERMINAL W/SIGHT HOLE & COLOR CODED	
TOLERANCES UNLESS OTHERWISE SPECIFIED:		PRODUCT SPEC	SIZE A3	
0 PLC ± -		APPLICATION SPEC	CAGE CODE 00779	DRAWING NO C-1527166
1 PLC ± -		WEIGHT	RESTRICTED TO	
2 PLC ± -		CUSTOMER DRAWING	SCALE 1:1	
3 PLC ± -			SHEET 1 OF 1	
4 PLC ± -			REV A	
ANGLES ± -				
FINISH				
MATERIAL COPPER ASTM B-152				